

INTERNATIONAL STANDARD

NORME INTERNATIONALE

**Dielectric and resistive properties of solid insulating materials –
Part 1: General**

**Propriétés diélectriques et résistives des matériaux isolants solides –
Partie 1: Généralités**



THIS PUBLICATION IS COPYRIGHT PROTECTED

Copyright © 2011 IEC, Geneva, Switzerland

All rights reserved. Unless otherwise specified, no part of this publication may be reproduced or utilized in any form or by any means, electronic or mechanical, including photocopying and microfilm, without permission in writing from either IEC or IEC's member National Committee in the country of the requester.

If you have any questions about IEC copyright or have an enquiry about obtaining additional rights to this publication, please contact the address below or your local IEC member National Committee for further information.

Droits de reproduction réservés. Sauf indication contraire, aucune partie de cette publication ne peut être reproduite ni utilisée sous quelque forme que ce soit et par aucun procédé, électronique ou mécanique, y compris la photocopie et les microfilms, sans l'accord écrit de la CEI ou du Comité national de la CEI du pays du demandeur.

Si vous avez des questions sur le copyright de la CEI ou si vous désirez obtenir des droits supplémentaires sur cette publication, utilisez les coordonnées ci-après ou contactez le Comité national de la CEI de votre pays de résidence.

IEC Central Office
3, rue de Varembe
CH-1211 Geneva 20
Switzerland
Email: inmail@iec.ch
Web: www.iec.ch

About the IEC

The International Electrotechnical Commission (IEC) is the leading global organization that prepares and publishes International Standards for all electrical, electronic and related technologies.

About IEC publications

The technical content of IEC publications is kept under constant review by the IEC. Please make sure that you have the latest edition, a corrigenda or an amendment might have been published.

- Catalogue of IEC publications: www.iec.ch/searchpub

The IEC on-line Catalogue enables you to search by a variety of criteria (reference number, text, technical committee,...). It also gives information on projects, withdrawn and replaced publications.

- IEC Just Published: www.iec.ch/online_news/justpub

Stay up to date on all new IEC publications. Just Published details twice a month all new publications released. Available on-line and also by email.

- Electropedia: www.electropedia.org

The world's leading online dictionary of electronic and electrical terms containing more than 20 000 terms and definitions in English and French, with equivalent terms in additional languages. Also known as the International Electrotechnical Vocabulary online.

- Customer Service Centre: www.iec.ch/webstore/custserv

If you wish to give us your feedback on this publication or need further assistance, please visit the Customer Service Centre FAQ or contact us:

Email: csc@iec.ch
Tel.: +41 22 919 02 11
Fax: +41 22 919 03 00

A propos de la CEI

La Commission Electrotechnique Internationale (CEI) est la première organisation mondiale qui élabore et publie des normes internationales pour tout ce qui a trait à l'électricité, à l'électronique et aux technologies apparentées.

A propos des publications CEI

Le contenu technique des publications de la CEI est constamment revu. Veuillez vous assurer que vous possédez l'édition la plus récente, un corrigendum ou amendement peut avoir été publié.

- Catalogue des publications de la CEI: www.iec.ch/searchpub/cur_fut-f.htm

Le Catalogue en-ligne de la CEI vous permet d'effectuer des recherches en utilisant différents critères (numéro de référence, texte, comité d'études,...). Il donne aussi des informations sur les projets et les publications retirées ou remplacées.

- Just Published CEI: www.iec.ch/online_news/justpub

Restez informé sur les nouvelles publications de la CEI. Just Published détaille deux fois par mois les nouvelles publications parues. Disponible en-ligne et aussi par email.

- Electropedia: www.electropedia.org

Le premier dictionnaire en ligne au monde de termes électroniques et électriques. Il contient plus de 20 000 termes et définitions en anglais et en français, ainsi que les termes équivalents dans les langues additionnelles. Egalement appelé Vocabulaire Electrotechnique International en ligne.

- Service Clients: www.iec.ch/webstore/custserv/custserv_entry-f.htm

Si vous désirez nous donner des commentaires sur cette publication ou si vous avez des questions, visitez le FAQ du Service clients ou contactez-nous:

Email: csc@iec.ch
Tél.: +41 22 919 02 11
Fax: +41 22 919 03 00



IEC 62631-1

Edition 1.0 2011-04

INTERNATIONAL STANDARD

NORME INTERNATIONALE

**Dielectric and resistive properties of solid insulating materials –
Part 1: General**

**Propriétés diélectriques et résistives des matériaux isolants solides –
Partie 1: Généralités**

INTERNATIONAL
ELECTROTECHNICAL
COMMISSION

COMMISSION
ELECTROTECHNIQUE
INTERNATIONALE

PRICE CODE
CODE PRIX



ICS 29.035.01

ISBN 978-2-88912-477-0

CONTENTS

FOREWORD.....	3
INTRODUCTION.....	5
1 Scope.....	6
2 Normative references.....	6
3 Terms and definitions.....	6
3.1 General definitions.....	7
3.2 Definitions for resistive properties.....	7
3.3 Definitions for dielectric properties.....	7
4 Factors influencing properties of electrical insulating materials.....	11
4.1 General.....	11
4.2 Factors influencing resistive and dielectric properties.....	11
4.2.1 General.....	11
4.2.2 Time.....	12
4.2.3 Frequency.....	12
4.2.4 Temperature.....	13
4.2.5 Moisture.....	14
4.2.6 Electric field strength.....	14
4.2.7 Voltage.....	14
4.2.8 Conditioning.....	14
4.2.9 Test specimen.....	14
4.2.10 Electrode material.....	14
5 Electrode systems.....	14
6 Test procedures.....	15
Bibliography.....	16
Figure 1 – Dielectric dissipation factor.....	9
Figure 2 – Equivalent circuit diagrams.....	9
Figure 3 – Influence of frequency $\omega = 2\pi f$ on permittivity and dielectric dissipation factor $\tan \delta$	13
Figure 4 – Example of the influence of temperature on the permittivity and dielectric dissipation factors.....	13
Table 1 – Planned structure of IEC 62631.....	5

INTERNATIONAL ELECTROTECHNICAL COMMISSION

DIELECTRIC AND RESISTIVE PROPERTIES OF SOLID INSULATING MATERIALS –

Part 1: General

FOREWORD

- 1) The International Electrotechnical Commission (IEC) is a worldwide organization for standardization comprising all national electrotechnical committees (IEC National Committees). The object of IEC is to promote international co-operation on all questions concerning standardization in the electrical and electronic fields. To this end and in addition to other activities, IEC publishes International Standards, Technical Specifications, Technical Reports, Publicly Available Specifications (PAS) and Guides (hereafter referred to as "IEC Publication(s)"). Their preparation is entrusted to technical committees; any IEC National Committee interested in the subject dealt with may participate in this preparatory work. International, governmental and non-governmental organizations liaising with the IEC also participate in this preparation. IEC collaborates closely with the International Organization for Standardization (ISO) in accordance with conditions determined by agreement between the two organizations.
- 2) The formal decisions or agreements of IEC on technical matters express, as nearly as possible, an international consensus of opinion on the relevant subjects since each technical committee has representation from all interested IEC National Committees.
- 3) IEC Publications have the form of recommendations for international use and are accepted by IEC National Committees in that sense. While all reasonable efforts are made to ensure that the technical content of IEC Publications is accurate, IEC cannot be held responsible for the way in which they are used or for any misinterpretation by any end user.
- 4) In order to promote international uniformity, IEC National Committees undertake to apply IEC Publications transparently to the maximum extent possible in their national and regional publications. Any divergence between any IEC Publication and the corresponding national or regional publication shall be clearly indicated in the latter.
- 5) IEC itself does not provide any attestation of conformity. Independent certification bodies provide conformity assessment services and, in some areas, access to IEC marks of conformity. IEC is not responsible for any services carried out by independent certification bodies.
- 6) All users should ensure that they have the latest edition of this publication.
- 7) No liability shall attach to IEC or its directors, employees, servants or agents including individual experts and members of its technical committees and IEC National Committees for any personal injury, property damage or other damage of any nature whatsoever, whether direct or indirect, or for costs (including legal fees) and expenses arising out of the publication, use of, or reliance upon, this IEC Publication or any other IEC Publications.
- 8) Attention is drawn to the Normative references cited in this publication. Use of the referenced publications is indispensable for the correct application of this publication.
- 9) Attention is drawn to the possibility that some of the elements of this IEC Publication may be the subject of patent rights. IEC shall not be held responsible for identifying any or all such patent rights.

International Standard IEC 62631-1 has been prepared by IEC technical committee 112: Evaluation and qualification of electrical insulating materials and systems.

This International Standard, together with its future parts, is intended to replace certain standards as set out and explained in the Introduction.

Such standards will, however, remain valid until the respective part of IEC 62631 is published.

The text of this standard is based on the following documents:

FDIS	Report on voting
112/169/FDIS	112/176/RVD

Full information on the voting for the approval of this standard can be found in the report on voting indicated in the above table.

This publication has been drafted in accordance with the ISO/IEC Directives, Part 2.

The committee has decided that the contents of this publication will remain unchanged until the stability date indicated on the IEC web site under "<http://webstore.iec.ch>" in the data related to the specific publication. At this date, the publication will be

- reconfirmed,
- withdrawn,
- replaced by a revised edition, or
- amended.

INTRODUCTION

The IEC 62631 series is divided into four main parts, which are further subdivided into component parts. The present Part 1 of IEC 62631 considers, general aspects related to the measurement of dielectric and resistive properties of solid electric insulating materials. Parts 2 and 3 outline basic procedures for the measurement of dielectric and resistive properties by means of AC and DC methods. These parts will gradually replace hitherto existing International Standards. Part 4 will cover special methods of measurement and computational methods.

Table 1 shows the planned future structure of IEC 62631, together with the standards it will replace.

Table 1 – Planned structure of IEC 62631

Main title	DIELECTRIC AND RESISTIVE PROPERTIES OF SOLID INSULATING MATERIALS	
Part number	Part title	Remarks
IEC 62631-1	– General	Amends and replaces IEC 60093, IEC 60167, IEC 60250, IEC 60345
IEC 62631-2	– Permittivity and dielectric dissipation factors (AC methods)	New
IEC 62631-2-1	– Technical frequencies (1 Hz to 100 MHz)	Replaces IEC 60250
IEC 62631-2-2	– High frequencies (1 MHz to 300 MHz)	Replaces IEC 60250
IEC 62631-2-3	– Very high frequencies (above 300 MHz)	Replaces IEC 60377-1 and IEC 60377-2
IEC 62631-2-4	– Low frequencies (1 MHz to 1 kHz)	New
IEC 62631-3	– Resistive properties (DC methods)	New
IEC 62631-3-1	– Volume resistance and volume resistivity	Replaces IEC 60093
IEC 62631-3-2	– Surface resistance and surface resistivity	Replaces IEC 60093
IEC 62631-3-3	– Insulation resistance	Replaces IEC 60167
IEC 62631-3-4	– Special requirements for the determination of resistive material properties at elevated temperatures	Replaces IEC 60345
IEC 62631-4	– Special methods	New
IEC 62631-4-1	– Computational methods for the evaluation of data gained by the use of broadband dielectric spectrometers	New
IEC 62631-4-2	– Thermal analysis by means of observation of dielectric properties	New

Measured values of dielectric and resistive properties of solid insulating materials are dependent upon different factors such as the magnitude and time of voltage application, frequency, the nature and geometry of the electrodes, the surface condition, contamination, temperature and humidity of the ambient atmosphere and of the specimens during conditioning and measurement and, in certain cases, on electric field strength also.

Therefore, the electrical and dielectric properties covered by the IEC 62631 series may only be comparable as far as the circumstances of the measurement's parameters are stipulated. The test specimen's shape and dimensions, as well as the measurement parameters, may be defined in product standards or the relevant parts of this series of standards dealing with test procedures, depending on the requirements to be considered for a certain demand of measurement. Care should be taken when using measured values from the IEC 62631 series for the purposes of designing an electric product.

NOTE It is not possible to give a comprehensive overview covering the dielectric and resistive properties of solid electrical insulating materials within a framework of an International Standard. Therefore, the user is encouraged to read up on the literature such as that recommended in the bibliography.

DIELECTRIC AND RESISTIVE PROPERTIES OF SOLID INSULATING MATERIALS –

Part 1: General

1 Scope

This part of IEC 62631 gives general guidelines for the determination of dielectric and resistive properties of solid electrical insulating materials.

2 Normative references

The following referenced documents are indispensable for the application of this document. For dated references, only the edition cited applies. For undated references, the latest edition of the referenced document (including any amendments) applies.

IEC 60050-212, *International Electrotechnical Vocabulary – Part 212: Electrical insulating solids, liquids and gases*

NOTE For IEC 60050, free online access is provided by www.electropedia.org.

IEC 60093:1980, *Methods of test for volume resistivity and surface resistivity of solid electrical insulating materials*

IEC 60167:1964, *Methods of test for the determination of the insulation resistance of solid insulating materials*

IEC 60250:1969, *Recommended methods for the determination of the permittivity and dielectric dissipation factor of electrical insulating materials at power, audio and radio frequencies including metre wavelengths*

IEC 60345:1971, *Method of test for electrical resistance and resistivity of insulating materials at elevated temperatures*

IEC 60377-1:1973, *Recommended methods for the determination of the dielectric properties of insulating materials at frequencies above 300 MHz – Part 1: General*

IEC 60377-2:1977, *Recommended methods for the determination of the dielectric properties of insulating materials at frequencies above 300 MHz – Part 2: Resonance methods*

ISO 291, *Plastics – Standard atmospheres for conditioning and testing*

ISO 558, *Conditioning and testing – Standard atmospheres – Definitions*

3 Terms and definitions

For the purposes of this document, the following terms and definitions, as well as those given in IEC 60050-212, apply.

3.1 General definitions

3.1.1

electrical insulating material

solid material with negligibly low electric conductivity, used to separate conducting parts at different electrical potentials

NOTE In English, the term "electrical insulating material" is sometimes used in a broader sense to also designate insulating liquids and gases. Insulating liquids are covered by IEC 60247.

3.2 Definitions for resistive properties

The resistive properties of an insulating material are those comprehensive materials whose behaviour can be measured with a DC in a time domain. Five examples are given below.

3.2.1

insulation resistance

resistance under specified conditions between two conductive bodies separated by the insulating material

NOTE Insulation resistance includes parts of volume resistivity and surface resistivity with respect to a given geometric shape of the test specimen.

3.2.2

volume resistance

quotient of a direct voltage applied between two electrodes in contact with an insulating medium and the current through it at a given duration of voltage application

NOTE Within this definition, current along the surface is excluded and possible polarization phenomena at the electrodes are neglected.

3.2.3

volume resistivity

quotient of a DC electric field strength and the current density within an insulating medium at a given time of voltage application

NOTE 1 According to IEC 60050-212, "conductivity" is defined as "the scalar or matrix quantity whose product by the electric field strength is the conduction current density" and "resistivity" as "the reciprocal of the conductivity". The volume resistivity is an average of this quantity over possible heterogeneities in the volume incorporated in the measurement, and includes the effect of possible polarization phenomena at the electrodes.

NOTE 2 Usually, volume resistivity in practice is taken as the volume resistance reduced to a cubical unit volume.

3.2.4

surface resistance

that part of the insulation resistance which is due to conduction along the surface

NOTE The surface current generally depends strongly on the time of voltage application and often varies in an erratic manner.

3.2.5

surface resistivity

surface resistance reduced to a square area

NOTE The numerical value of the surface resistivity is independent of the size of the square.

3.3 Definitions for dielectric properties

The dielectric properties of an insulating material are those comprehensive materials whose behaviour can be measured with an AC in a given frequency domain. Four examples are given below.

3.3.1**absolute permittivity**

electric flux density divided by the electric field strength

NOTE The measured permittivity (formerly known as dielectric constant) ε of an insulating material is the product of its relative permittivity ε_r and the permittivity of a vacuum ε_0 :

$$\varepsilon = \varepsilon_0 \times \varepsilon_r \quad (1)$$

The permittivity is expressed in farad per meter (F/m); the permittivity of vacuum ε_0 has the following value:

$$\varepsilon_0 = 8,854 \times 10^{-12} \text{ F/m} \quad (2)$$

3.3.2**relative permittivity**

ratio of the absolute permittivity to the permittivity of a vacuum, ε_0

NOTE 1 In the case of constant fields and alternating fields of sufficiently low frequency the relative permittivity of an isotropic or quasi-isotropic dielectric is equal to the ratio of the capacitance of a capacitor, in which the space between and around the electrodes is entirely and exclusively filled with the dielectric, to the capacitance of the same configuration of electrodes in a vacuum.

NOTE 2 In practical engineering, it is usual to employ the term 'permittivity' when referring to relative permittivity.

NOTE 3 The relative permittivity ε_r of an insulating material is the quotient of capacitance C_x of a capacitive test specimen (capacitor), in which the space between the two electrodes is entirely and exclusively filled with the insulating material in question, and the capacitance C_0 of the same configuration of electrodes in vacuum:

$$\varepsilon_r = \frac{C_x}{C_0} \quad (3)$$

The relative permittivity ε_r of dry air free from carbon dioxide, at normal atmospheric pressure, is equal to 1,000 53, so that in practice, the capacitances C_a of the configuration of electrodes in air can normally be used instead of C_0 to determine the relative permittivity ε_r with sufficient accuracy.

3.3.3**relative complex permittivity**

permittivity in a complex number representation, under steady sinusoidal field conditions expressed as

$$\underline{\varepsilon}_r = \varepsilon'_r - j\varepsilon''_r = \varepsilon_r \times e^{-j\delta} \quad (4)$$

where ε'_r and ε''_r have positive values.

NOTE 1 The complex permittivity $\underline{\varepsilon}_r$ is customarily quoted either in terms of ε'_r and ε''_r , or in terms of ε_r and $\tan \delta$. If $\varepsilon'_r > \varepsilon''_r$ then $\varepsilon_r \approx \varepsilon'_r$ which are both called relative permittivity.

NOTE 2 ε''_r is termed loss index.

3.3.4**dielectric dissipation factor $\tan \delta$ (loss tangent)**

numerical value of the ratio of the imaginary to the real part of the complex permittivity

$$\tan \delta = \frac{\varepsilon''_r}{\varepsilon'_r} \quad (5)$$

NOTE 1 Thus, the dielectric dissipation factor $\tan \delta$ of an insulating material is the tangent of the angle δ by which the phase difference φ between applied voltage and resulting current deviates from $\pi/2$ rad when the solid insulating material is exclusively used as dielectric in a capacitive test specimen (capacitor) (compare Figure 1).

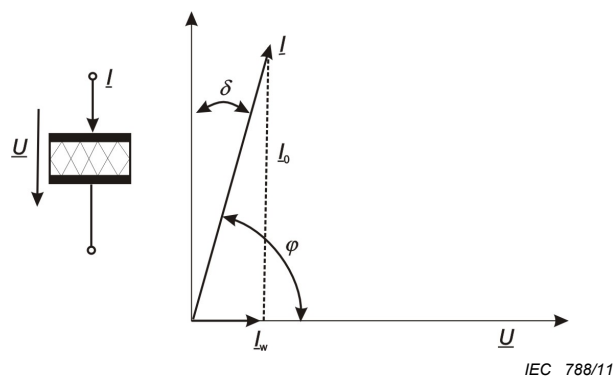


Figure 1 – Dielectric dissipation factor

The dielectric dissipation factor can also be expressed by an equivalent circuit diagram using an ideal capacitor with a resistor in series or parallel connection (see Figure 2).

$$\tan \delta = \omega C_S \times R_S = \frac{1}{\omega C_P \times R_P} \quad (6)$$

with

$$\frac{C_P}{C_S} = \frac{1}{1 + \tan^2 \delta} \quad (7)$$

and

$$\frac{R_P}{R_S} = 1 + \frac{1}{\tan^2 \delta} \quad (8)$$

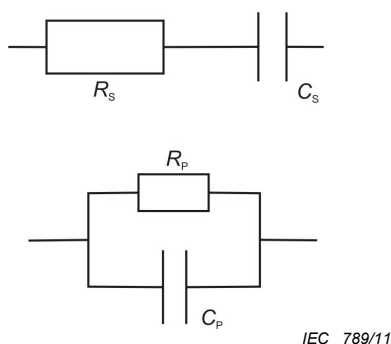


Figure 2 – Equivalent circuit diagrams

NOTE 2 R_S and R_P respectively are not directly related with but affected by the volume and the surface resistance of an insulating material. Therefore also the dielectric dissipation factor may be affected by these resistive materials properties.

3.4 capacitance C

property of an arrangement of conductors and dielectrics which permits the storage of electrical charge when a potential difference exists between the conductors

NOTE C is the ratio of a quantity q of charge to a potential difference U . A capacitance value is always positive. The unit is farad when the charge is expressed in coulomb and the potential in volts.

$$C = \frac{q}{U} \quad (9)$$

3.5**voltage application**

application of a voltage between electrodes

NOTE Voltage application is sometimes referred as electrification.

3.6**current after voltage application**

current between two electrodes in contact with an insulating medium when direct voltage is applied between them

NOTE The current after voltage application is a function of time. Usually this current is determined 1 min after voltage application (1 min value).

3.7**conduction current**

steady-state component of the current after voltage application

3.8**charging current**

transient component of the current after voltage application which flows during the charging of the test specimen

3.9**electric field strength**

vector field quantity E which exerts on any charged particle at rest a force F equal to the product of E and the electric charge Q of the particle:

$$F = Q \times E \quad (10)$$

3.10**electric flux density**

vector quantity obtained at a given point by adding the electric polarization P to the product of the electric field strength E and the permittivity of vacuum ϵ_0 :

$$D = \epsilon_0 E + P \quad (11)$$

3.11**polarization**

P

phenomenon of material that describes the direction of the transverse electric field. Electric polarization at a given point within a domain of quasi-infinitesimal volume, V , vector quantity equal to the electric dipole moment, p , of the substance contained within the domain divided by the volume V :

$$P = \frac{p}{V} \quad (12)$$

NOTE 1 The polarization P satisfies Equation (11).

NOTE 2 Polarization may occur as a displacement of charged particles or as orientation of dipoles. It may also occur at boundaries, such as electrodes, as well as inner boundaries in the electrical insulating material. All polarization effects are strongly dependent on time and frequency respectively and on temperature as well. The effect of polarization therefore strongly affects the dielectric and resistive properties. Because of this, the time-dependent process of becoming polarized, which an electrical insulating material undergoes by the procedure of voltage application, is commonly understood as polarization when the resistive properties of an electrical insulating material are to be determined.

3.12 depolarization

process of removing electrical polarization from an electrical insulating material until the depolarization current is negligible

NOTE Depolarization is generally recommended before measuring the resistive properties of an electrical insulating material.

3.13 polarization current

transient component of the current after voltage application, depleted by a possible contribution of the charging current

NOTE The polarization current is usually measured after previously short-circuiting the electrodes for sufficient time that the short-circuit current is negligible.

3.14 depolarization current

current through a short-circuit established between two electrodes in contact with an insulating medium after direct voltage application for some time

NOTE The depolarization current is usually measured after voltage application for sufficient time that the polarization current is negligible.

3.15 measuring electrodes

conductors applied to, or embedded in, a material to make contact with it to measure its dielectric or resistive properties

NOTE The design depends on the specimens and the purpose of test.

4 Factors influencing properties of electrical insulating materials

4.1 General

Electrical insulating materials shall provide acceptable values for resistive and dielectric properties, depending on the demands of the specific application, consistent with acceptable mechanical, chemical, thermal and other necessary properties.

NOTE Dielectric and resistive materials properties should be measured with the service conditions in mind.

Insulation resistance consists of two parts: surface resistance and volume resistance. Both are affected by many parameters, e.g. humidity, temperature, electric field strength, shape of the test specimen, surface condition and the electrodes. The change of resistance with temperature, chemical and gaseous environment, humidity and electric field strength may be great and must be known when designing for operating conditions.

The permittivity and dielectric loss are also affected by many parameters, but to a lesser extent than the insulation resistance. With the exception of the influence of temperature, they are strongly affected by the frequency.

4.2 Factors influencing resistive and dielectric properties

4.2.1 General

The following parameters may be of influence to the dielectric and resistive properties of electrical insulating materials and shall be stated in any test report:

- time;
- frequency;

- temperature;
- moisture;
- electric field strength;
- voltage;
- conditioning;
- electrode material.

These parameters are treated separately as outlined below.

4.2.2 Time

As outlined in 3.11, polarization effects are time dependent. For each kind of polarization, a relaxation time, τ , can be assigned. With this relaxation time, values obtained by time domain measurements (i.e. resistive properties) depend on the time of voltage application.

For some materials the relaxation times can be considerably long (up to at least several months). To get proper results, it would be necessary to carry out the measurement for a very long time. However, for practical reasons, the measurement of resistive properties is carried out 1 min after voltage application, accepting a deviation between this 1 min value to the real behaviour of the electrical insulating material.

NOTE The resistive properties may, however, be apparently affected by charging currents which are time dependent due to the internal resistance of the voltage source.

4.2.3 Frequency

As the permittivity and dissipation factors are not constant over a large frequency range, it is necessary to measure them at those frequencies at which the dielectric material will be used.

Figure 3 shows, in a simplified way, that at a certain frequency, the loss index ϵ_r'' shows a maximum value within the relaxation transition. During this relaxation transition, the permittivity ϵ_r' changes from a higher level ϵ_{rS} (static case) to a lower level (the frequency is infinite) $\epsilon_{r\infty}$. The reason for this behaviour is the time dependence of polarization (see 3.6), which is described by the relaxation time τ :

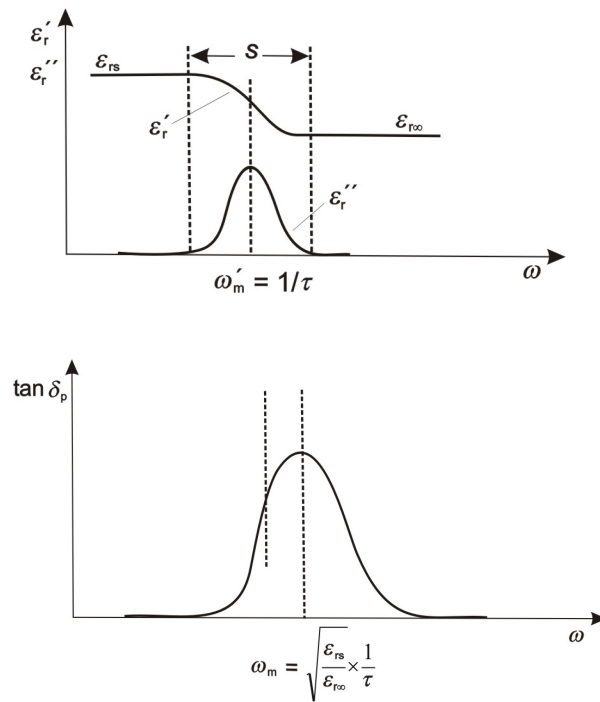
$$\omega'_m = \frac{1}{\tau} \tag{13}$$

However, due to the relationship to polarization, in reality more than one relaxation transition will occur.

The dielectric dissipation factor $\tan \delta$ is also frequency dependent. As a consequence of the definitions given in 3.3.4, and the lowering of ϵ_r' with increasing frequency, in comparison with the loss index, the maximum of $\tan \delta$ is shifted to higher frequencies by the following relationship:

$$\omega_m = \sqrt{\frac{\epsilon_{rS}}{\epsilon_{r\infty}}} \times \omega'_m \tag{14}$$

NOTE Time and frequency dependence is related to each other, which is described by the theory of Debye. The bibliography gives further reference material concerning to these questions.



IEC 790/11

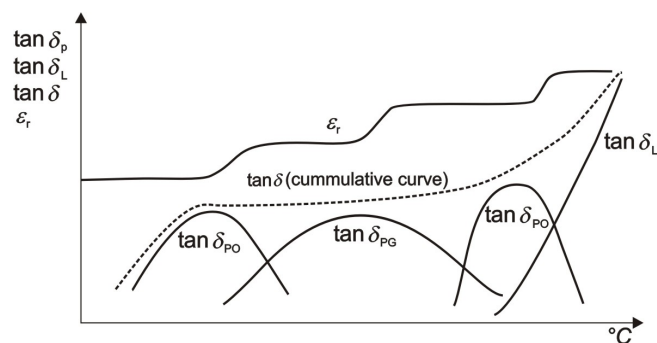
Figure 3 – Influence of frequency $\omega = 2\pi f$ on permittivity and dielectric dissipation factor $\tan \delta$

4.2.4 Temperature

With elevating temperatures, the dielectric dissipation factor may show one or more maxima (see Figure 4), as the temperature affects polarization (see 3.6) and the relaxation times are reduced. Consequently, the permittivity increases stepwise with the temperature.

In addition, at higher temperatures, charges such as ions or electrons are able to move more freely and contribute to an elevated conductivity.

For the same reasons, the values of insulating resistance, surface or volume resistivity may also strongly depend on the temperature.



IEC 791/11

Figure 4 – Example of the influence of temperature on the permittivity and dielectric dissipation factors

NOTE 1 Thermal ageing effects may also affect the dielectric dissipation factor and resistive properties of the material in question. For a qualification of the thermal endurance of electrical insulating materials and systems according to IEC 60216-1 and IEC 60505 respectively, measurements of the dielectric or resistive behaviour may be useful.

NOTE 2 At elevated temperatures in particular, the conduction current caused by the resistive properties of the materials may contribute considerably to an increase of the dielectric dissipation factor (see Equation (7)).

4.2.5 Moisture

All dielectric and resistive properties, such as permittivity, dissipation factor, volume and surface resistivity, are influenced by moisture. Conditioning of the test specimens is therefore of utmost importance, as is the control of the moisture content, both before and during testing.

4.2.6 Electric field strength

All kinds of dielectric polarization effects, except for interfacial polarization, behave in an almost linear fashion with regard to the applied electric field strength, provided no electron emission or related effects dominate. When interfacial polarization exists, the number of free ions increases with the electric field strength, and the magnitude and the position of the dielectric dissipation factor maximum are altered. The dissipation and permittivity factors generally show only a weak dependency on electric field strength, provided no ionization effects occur.

4.2.7 Voltage

Non-linear effects may occur with increasing measurement voltages or electric field strengths, respectively. Time-dependent charging currents are also voltage dependent.

4.2.8 Conditioning

Resistive and dielectric properties of most solid insulating materials are influenced by different parameters as already indicated. It is therefore necessary to specify the type and duration of conditioning procedures of a test specimen both before and during testing as stipulated in ISO 291 and ISO 558.

A preferred climate for conditioning before and during testing is $23\text{ °C} \pm 2\text{ K}$ and $50\% \pm 5\%$ relative humidity.

The behaviour of the material will be influenced by the surface condition. Cleaning can influence the test results. However, in certain cases, if necessary the surface of the test specimen might need to be cleaned before conditioning.

4.2.9 Test specimen

The shape and dimensions of the test specimen may influence the measured values. The preferred dimensions of test specimens shall be those used in the test procedures of future IEC 62631-2 and future IEC 62631-3¹. However, because shape and dimensions are strongly dependent on the type of insulation material and its application, there may be cases where the shape has to be defined by appropriate product standards.

4.2.10 Electrode material

The choice of the electrode material is fundamental to the achievement of reliable measurement results. The issue of electrodes is therefore treated in a separate clause.

5 Electrode systems

The electrodes for insulating materials shall be of a material that is readily applied to the specimen surface, allowing intimate contact and introducing no appreciable error because of electrode resistance or contamination of the specimen. The electrode material shall be corrosion-resistant under the conditions of the test.

¹ As mentioned in the Foreword, until these future standards are published, the dimensions cited in IEC 60093, IEC 60167, IEC 60250, IEC 60345, IEC 60377-1 and IEC 60377-2 remain valid.

NOTE For alternating current measurements, a system of non-contacting electrodes may sometimes be used with specimens of sufficiently low surface conductivity.

The shape of the electrodes as well as the thickness of the test specimen shall be determined carefully in order to avoid severe errors, when deriving the dielectric and resistive properties from measured values. Detailed information regarding electrode systems appropriate for certain kinds of measurement are given in the parts of this series dealing with test procedures (see Table 1).

6 Test procedures

Test procedures are described in further parts of IEC 62631 (see Table 1).

Any reliable test device or instrument available may be used to determine the above-mentioned properties according to a given test method. However, the precision of the test instrument shall always be stated so as to comply with the requirements of the material being tested.

Bibliography

IEC 60216-1, *Electrical insulating materials – Properties of thermal endurance – Part 1: Ageing procedures and evaluation of test results*

IEC 60247, *Insulating liquids – Measurement of relative permittivity, dielectric dissipation factor ($\tan \delta$) and d.c. resistivity*

IEC 60505, *Evaluation and qualification of electrical insulation systems*

IEEE 100, *The Authoritative Dictionary of IEEE Standards Terms*, Seventh Edition.

Kohlrausch: *Praktische Physik (2 Bände)*. Leipzig: Teubner, 1953.

Debye, Paul: *Polare Molekeln*. Leipzig: Hirzel, 1929.

Bartnikas, Ray: *Engineering Dielectrics Volume IIB Electrical Properties of Solid Insulating Materials: Measurement Techniques*. ASTM 1987.

Beyer, M; Boeck, W.; Möller, K.; Zaengl, W.: *Hochspannungstechnik. Theoretische und praktische Grundlagen für die Anwendung*. Springer, 1986.

.....

SOMMAIRE

AVANT-PROPOS.....	19
INTRODUCTION.....	21
1 Domaine d'application	23
2 Références normatives.....	23
3 Termes et définitions	23
4 Facteurs influençant les propriétés des matériaux isolants électriques	28
4.1 Généralités.....	28
4.2 Facteurs influençant les propriétés résistives et diélectriques.....	28
4.2.1 Durée	29
4.2.2 Fréquence	29
4.2.3 Température.....	30
4.2.4 Humidité.....	31
4.2.5 Champ électrique	31
4.2.6 Tension	31
4.2.7 Conditionnement	31
4.2.8 Eprouvette.....	31
4.2.9 Matériau des électrodes	31
5 Systèmes d'électrodes.....	32
6 Procédures d'essai	32
Bibliographie.....	33
Figure 1 – Facteur de dissipation diélectrique.....	26
Figure 2 – Schémas de circuits équivalents	26
Figure 3 – Influence de la fréquence $\omega = 2\pi f$ sur la permittivité et le facteur de dissipation diélectrique $\tan \delta$	30
Figure 4 – Exemple de l'influence de la température sur la permittivité et les facteurs de dissipation diélectrique	30
Tableau 1 – Future structure de la CEI 62631.....	21

COMMISSION ÉLECTROTECHNIQUE INTERNATIONALE

PROPRIÉTÉS DIÉLECTRIQUES ET RÉSISTIVES DES MATÉRIAUX ISOLANTS SOLIDES –

Partie 1: Généralités

AVANT-PROPOS

- 1) La Commission Electrotechnique Internationale (CEI) est une organisation mondiale de normalisation composée de l'ensemble des comités électrotechniques nationaux (Comités nationaux de la CEI). La CEI a pour objet de favoriser la coopération internationale pour toutes les questions de normalisation dans les domaines de l'électricité et de l'électronique. A cet effet, la CEI – entre autres activités – publie des Normes internationales, des Spécifications techniques, des Rapports techniques, des Spécifications accessibles au public (PAS) et des Guides (ci-après dénommés "Publication(s) de la CEI"). Leur élaboration est confiée à des comités d'études, aux travaux desquels tout Comité national intéressé par le sujet traité peut participer. Les organisations internationales, gouvernementales et non gouvernementales, en liaison avec la CEI, participent également aux travaux. La CEI collabore étroitement avec l'Organisation Internationale de Normalisation (ISO), selon des conditions fixées par accord entre les deux organisations.
- 2) Les décisions ou accords officiels de la CEI concernant les questions techniques représentent, dans la mesure du possible, un accord international sur les sujets étudiés, étant donné que les Comités nationaux de la CEI intéressés sont représentés dans chaque comité d'études.
- 3) Les Publications de la CEI se présentent sous la forme de recommandations internationales et sont agréées comme telles par les Comités nationaux de la CEI. Tous les efforts raisonnables sont entrepris afin que la CEI s'assure de l'exactitude du contenu technique de ses publications; la CEI ne peut pas être tenue responsable de l'éventuelle mauvaise utilisation ou interprétation qui en est faite par un quelconque utilisateur final.
- 4) Dans le but d'encourager l'uniformité internationale, les Comités nationaux de la CEI s'engagent, dans toute la mesure possible, à appliquer de façon transparente les Publications de la CEI dans leurs publications nationales et régionales. Toutes divergences entre toutes Publications de la CEI et toutes publications nationales ou régionales correspondantes doivent être indiquées en termes clairs dans ces dernières.
- 5) La CEI elle-même ne fournit aucune attestation de conformité. Des organismes de certification indépendants fournissent des services d'évaluation de conformité et, dans certains secteurs, accèdent aux marques de conformité de la CEI. La CEI n'est responsable d'aucun des services effectués par les organismes de certification indépendants.
- 6) Tous les utilisateurs doivent s'assurer qu'ils sont en possession de la dernière édition de cette publication.
- 7) Aucune responsabilité ne doit être imputée à la CEI, à ses administrateurs, employés, auxiliaires ou mandataires, y compris ses experts particuliers et les membres de ses comités d'études et des Comités nationaux de la CEI, pour tout préjudice causé en cas de dommages corporels et matériels, ou de tout autre dommage de quelque nature que ce soit, directe ou indirecte, ou pour supporter les coûts (y compris les frais de justice) et les dépenses découlant de la publication ou de l'utilisation de cette Publication de la CEI ou de toute autre Publication de la CEI, ou au crédit qui lui est accordé.
- 8) L'attention est attirée sur les références normatives citées dans cette publication. L'utilisation de publications référencées est obligatoire pour une application correcte de la présente publication.
- 9) L'attention est attirée sur le fait que certains des éléments de la présente Publication de la CEI peuvent faire l'objet de droits de brevet. La CEI ne saurait être tenue pour responsable de ne pas avoir identifié de tels droits de brevets et de ne pas avoir signalé leur existence.

La Norme internationale CEI 62631-1 a été établie par le comité d'études 112 de la CEI: Evaluation et qualification des systèmes et matériaux d'isolement électrique.

La présente Norme internationale, ainsi que les parties de cette norme qui paraîtront dans le futur, est destinée à remplacer certaines normes comme expliqué dans l'Introduction.

Ces normes resteront toutefois valables jusqu'à la publication de la partie correspondante de la CEI 62631.

Le texte de cette norme est issu des documents suivants:

FDIS	Rapport de vote
112/169/FDIS	112/176/RVD

Le rapport de vote indiqué dans le tableau ci-dessus donne toute information sur le vote ayant abouti à l'approbation de cette norme.

Cette publication a été rédigée selon les Directives ISO/CEI, Partie 2.

Le comité a décidé que le contenu de cette publication ne sera pas modifié avant la date de stabilité indiquée sur le site web de la CEI sous "<http://webstore.iec.ch>" dans les données relatives à la publication recherchée. A cette date, la publication sera

- reconduite,
- supprimée,
- remplacée par une édition révisée, ou
- amendée.

INTRODUCTION

La présente série de normes CEI 62631 se divise en quatre parties principales, qui sont elles-mêmes subdivisées en plusieurs parties constituantes. La présente Partie 1 de la CEI 62631 étudie les aspects généraux relatifs à la mesure des propriétés diélectriques et résistives des matériaux isolants électriques solides. Les Parties 2 et 3 donnent les procédures fondamentales de mesure des propriétés diélectriques et résistives au moyen de méthodes en courant alternatif et en courant continu. Ces parties remplaceront progressivement dans le futur les Normes internationales existantes. La Partie 4 couvrira les méthodes particulières de mesure et les méthodes de calcul.

Le Tableau 1 ci-dessous montre la future structure de la CEI 62631 telle qu'elle est prévue, ainsi que les normes qu'elle remplacera.

Tableau 1 – Future structure de la CEI 62631

Titre principal	PROPRIETES DIELECTRIQUES ET RESISTIVES DES MATERIAUX ISOLANTS SOLIDES	
Numéro de la Partie	Titre de la Partie	Remarques
CEI 62631-1	– Généralités	Modifie et remplace les CEI 60093, CEI 60167, CEI 60250, CEI 60345
CEI 62631-2	– Permittivité et facteurs de dissipation diélectrique (Méthodes en courant alternatif)	Nouveau
CEI 62631-2-1	– Fréquences techniques (1 Hz à 100 MHz)	Remplace la CEI 60250
CEI 62631-2-2	– Hautes fréquences (1 MHz à 300 MHz)	Remplace la CEI 60250
CEI 62631-2-3	– Très hautes fréquences (supérieures à 300 MHz)	Remplace la CEI 60377-1 et la CEI 60377-2
CEI 62631-2-4	– Basses fréquences (1 MHz à 1 kHz)	Nouveau
CEI 62631-3	– Propriétés résistives (Méthodes en courant continu)	Nouveau
CEI 62631-3-1	– Résistance et résistivité transversales	Remplace la CEI 60093
CEI 62631-3-2	– Résistance et résistivité superficielles	Remplace la CEI 60093
CEI 62631-3-3	– Résistance d'isolement	Remplace la CEI 60167
CEI 62631-3-4	– Exigences particulières pour la détermination des propriétés résistives des matériaux à des températures élevées	Remplace la CEI 60345
CEI 62631-4	– Méthodes particulières	Nouveau
CEI 62631-4-1	– Méthodes de calcul pour l'évaluation des données obtenues par l'utilisation de spectromètres diélectriques à large bande	Nouveau
CEI 62631-4-2	– Analyse thermique par observation des propriétés diélectriques	Nouveau

Les valeurs mesurées de propriétés diélectriques et résistives des matériaux isolants solides dépendent de différents facteurs tels que l'amplitude et la durée d'application de la tension, la fréquence, la nature et la géométrie des électrodes, la condition en surface, la contamination, la température et l'humidité de l'atmosphère ambiante et des éprouvettes au cours du conditionnement et de la mesure et, dans certains cas, également du champ électrique.

Par conséquent, les propriétés électriques et diélectriques couvertes par la présente série CEI 62631 ne peuvent être comparables que si les circonstances des paramètres de mesure sont stipulées. La forme et les dimensions des éprouvettes ainsi que les paramètres de mesure peuvent être définis dans les normes de produits ou dans les parties applicables de la présente série de normes qui traitent des procédures d'essai, en fonction des exigences à prendre en compte pour un besoin de mesure donné. Il convient de prendre les précautions nécessaires lors de l'utilisation des valeurs mesurées à partir de la présente série CEI 62631 pour concevoir un produit électrique.

NOTE Il est impossible de donner une vue d'ensemble complète couvrant les propriétés diélectriques et résistives des matériaux isolants électriques solides dans le cadre d'une Norme internationale. Par conséquent, l'utilisateur est invité à se reporter à des documents techniques tels que ceux recommandés dans la bibliographie.

PROPRIÉTÉS DIÉLECTRIQUES ET RÉSISTIVES DES MATÉRIAUX ISOLANTS SOLIDES –

Partie 1: Généralités

1 Domaine d'application

La présente partie de la CEI 62631 donne des directives générales pour la détermination des propriétés diélectriques et résistives des matériaux isolants électriques solides.

2 Références normatives

Les documents de référence suivants sont indispensables pour l'application du présent document. Pour les références datées, seule l'édition citée s'applique. Pour les références non datées, la dernière édition du document de référence s'applique (y compris les éventuels amendements).

CEI 60050-212, *Vocabulaire Electrotechnique International – Partie 212: Isolants électriques solides, liquides et gazeux*

NOTE Un accès gratuit à la CEI 60050 est possible sur www.electropedia.org.

CEI 60093:1980, *Méthodes pour la mesure de la résistivité transversale et de la résistivité superficielle des matériaux isolants électriques solides*

CEI 60167:1964, *Méthodes d'essai pour la détermination de la résistance d'isolement des isolants solides*

CEI 60250:1969, *Méthodes recommandées pour la détermination de la permittivité et du facteur de dissipation des isolants électriques aux fréquences industrielles, audibles et radioélectriques (ondes métriques comprises)*

CEI 60345:1971, *Méthode d'essai pour la résistance d'isolement et la résistivité transversale des matériaux isolants à des températures élevées*

CEI 60377-1:1973, *Méthodes recommandées pour la détermination des propriétés diélectriques de matériaux isolants aux fréquences supérieures à 300 MHz – Partie 1: Généralités*

CEI 60377-2:1977, *Méthodes recommandées pour la détermination des propriétés diélectriques de matériaux isolants aux fréquences supérieures à 300 MHz – Partie 2: Méthodes de résonance*

ISO 291, *Plastiques – Atmosphères normales de conditionnement et d'essai*

ISO 558, *Conditionnement et essais – Atmosphères normales – Définitions*

3 Termes et définitions

Pour les besoins du présent document, les termes et définitions suivants, ainsi que ceux donnés dans la CEI 60050-212, s'appliquent.

3.1 Définitions générales

3.1.1

matériau isolant électrique

solide de conductivité électrique faible pratiquement négligeable, utilisé pour séparer des pièces conductrices portées à des potentiels différents

NOTE En anglais, le terme « electrical insulating material » est parfois utilisé dans un sens plus large pour désigner également les isolants liquides et gazeux. Les isolants liquides sont couverts par la CEI 60247.

3.2 Définitions des propriétés résistives

Les propriétés résistives d'un matériau isolant correspondent au comportement global des matériaux, mesuré avec un courant continu dans le domaine temporel. Cinq exemples sont donnés ci-dessous.

3.2.1

résistance d'isolement

résistance mesurée, dans des conditions spécifiées, entre deux corps conducteurs séparés par un matériau isolant

NOTE La résistance d'isolement intègre des parties de résistivité transversale et de résistivité superficielle par rapport à une forme géométrique donnée de l'éprouvette.

3.2.2

résistance transversale

quotient de la tension continue appliquée entre deux électrodes en contact avec un milieu isolant et le courant qui le traverse à une durée donnée d'application de tension

NOTE Dans cette définition, le courant le long de la surface est exclu, et les phénomènes de polarisation qui peuvent apparaître au niveau des électrodes sont négligés.

3.2.3

résistivité transversale

quotient d'un champ électrique continu et de la densité de courant dans un milieu isolant à un moment donné de l'application de la tension

NOTE 1 D'après la CEI 60050-212, la « conductivité » est définie comme « la grandeur scalaire ou tensorielle dont le produit par le champ électrique est égal à la densité du courant de conduction », et la « résistivité » est définie comme « l'inverse de la conductivité ». La résistivité transversale est une moyenne de cette grandeur sur les hétérogénéités éventuelles dans le volume incluses dans la mesure, et comprend l'effet d'éventuels phénomènes de polarisation aux électrodes.

NOTE 2 Généralement, en pratique, la résistivité transversale est prise comme la résistance transversale ramenée au cube de volume unité.

3.2.4

résistance superficielle

partie de la résistance d'isolement qui est due à la conduction le long de la surface

NOTE En général, le courant superficiel dépend fortement de la durée d'application de la tension et varie souvent d'une manière erratique.

3.2.5

résistivité superficielle

résistance superficielle ramenée à une surface de forme carrée

NOTE La valeur numérique de la résistivité superficielle est indépendante de la taille du carré.

3.3 Définitions des propriétés diélectriques

Les propriétés diélectriques d'un matériau isolant correspondent au comportement global des matériaux, mesuré avec un courant alternatif dans un domaine fréquentiel donné. Quatre exemples sont donnés ci-dessous.

3.3.1**permittivité absolue**

induction électrique divisée par le champ électrique

NOTE La permittivité mesurée (connue auparavant sous le terme constante diélectrique) ε d'un matériau isolant est le produit de sa permittivité relative ε_r et de la permittivité du vide ε_0 :

$$\varepsilon = \varepsilon_0 \times \varepsilon_r \quad (1)$$

La permittivité est exprimée en farad par mètre (F/m); la permittivité du vide ε_0 a la valeur suivante:

$$\varepsilon_0 = 8,854 \times 10^{-12} \text{ F/m} \quad (2)$$

3.3.2**permittivité relative**rapport de la permittivité absolue à la permittivité du vide, ε_0

NOTE 1 Pour des champs continus et des champs alternatifs de fréquence suffisamment basse, la permittivité relative d'un diélectrique isotrope ou quasi-isotrope est égale au rapport de la capacité d'un condensateur, dans lequel l'espace entre les électrodes et autour d'elles est entièrement et exclusivement rempli du diélectrique, à la capacité de la même disposition d'électrodes dans le vide.

NOTE 2 Dans les techniques de l'ingénieur, il est courant d'employer le terme 'permittivité' lorsqu'on se réfère à la permittivité relative.

NOTE 3 La permittivité relative ε_r d'un matériau isolant est le quotient de la capacité C_x d'une éprouvette capacitive (condensateur), dans laquelle l'espace entre les deux électrodes est entièrement et exclusivement rempli du matériau isolant concerné, et la capacité C_0 de la même disposition des électrodes dans le vide:

$$\varepsilon_r = \frac{C_x}{C_0} \quad (3)$$

La permittivité relative ε_r de l'air sec sans dioxyde de carbone, sous une pression atmosphérique normale, est égale à 1,000 53, de telle sorte qu'en pratique, les capacités C_a de la configuration des électrodes dans l'air peuvent normalement être utilisées à la place de C_0 pour déterminer la permittivité relative ε_r avec une précision suffisante.

3.3.3**permittivité relative complexe**

permittivité exprimée en notation complexe, dans des conditions de champ sinusoïdal établi, exprimée comme suit :

$$\underline{\varepsilon}_r = \varepsilon'_r - j\varepsilon''_r = \varepsilon_r \times e^{-j\delta} \quad (4)$$

où ε'_r et ε''_r ont des valeurs positives

NOTE 1 La permittivité complexe $\underline{\varepsilon}_r$ est habituellement exprimée soit en fonction de ε'_r et de ε''_r , soit en fonction de ε_r et de $\tan \delta$. Si $\varepsilon'_r > \varepsilon''_r$ alors $\varepsilon_r \approx \varepsilon'_r$, qui sont toutes les deux désignées comme permittivité relative.

NOTE 2 ε''_r est désignée comme l'indice de perte.

3.3.4**facteur de dissipation diélectrique $\tan \delta$ (tangente de pertes)**

valeur numérique du rapport de la partie imaginaire à la partie réelle de la permittivité complexe

$$\tan \delta = \frac{\varepsilon''_r}{\varepsilon'_r} \quad (5)$$

NOTE 1 Ainsi, le facteur de dissipation diélectrique $\tan \delta$ d'un matériau isolant est la tangente de l'angle δ par lequel la différence de phase φ entre la tension appliquée et le courant résultant s'écarte de $\pi/2$ rad lorsque le

matériau isolant solide est exclusivement utilisé comme diélectrique dans une éprouvette capacitive (condensateur) (comparer avec la Figure 1).

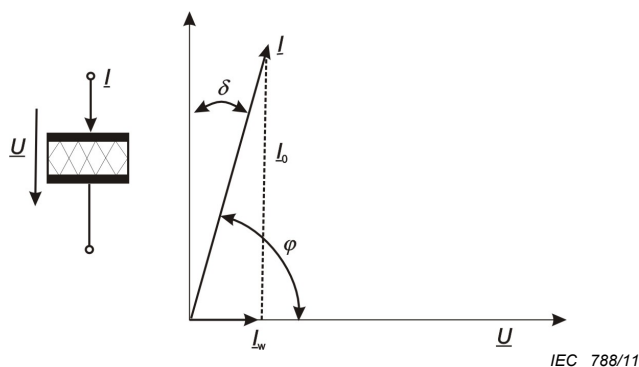


Figure 1 – Facteur de dissipation diélectrique

Le facteur de dissipation diélectrique peut aussi être exprimé par un schéma de circuit équivalent en utilisant un condensateur idéal avec une résistance en série ou en parallèle (voir Figure 2).

$$\tan \delta = \omega C_S \times R_S = \frac{1}{\omega C_P \times R_P} \tag{6}$$

avec

$$\frac{C_P}{C_S} = \frac{1}{1 + \tan^2 \delta} \tag{7}$$

et

$$\frac{R_P}{R_S} = 1 + \frac{1}{\tan^2 \delta} \tag{8}$$

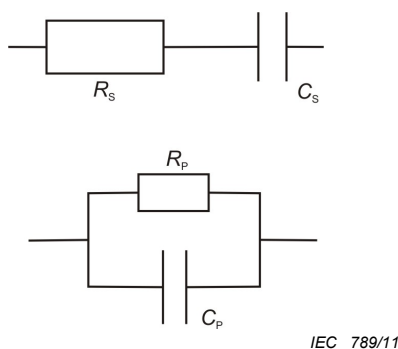


Figure 2 – Schémas de circuits équivalents

NOTE 2 R_S et R_P respectivement ne sont pas directement liées à la résistance transversale et à la résistance superficielle d'un matériau isolant, mais elles sont affectées par celles-ci. Par conséquent, le facteur de dissipation diélectrique peut aussi être affecté par ces propriétés des matériaux résistifs.

3.4 capacité C

propriété d'une disposition de conducteurs et de diélectriques qui permet le stockage d'une charge électrique, lorsqu'il existe une différence de potentiel entre les conducteurs

NOTE C est le rapport d'une grandeur q de charge à une différence de potentiel U. Une valeur de capacité est toujours positive. L'unité utilisée est le farad lorsque la charge est exprimée en coulomb et le potentiel en volts.

$$C = \frac{q}{U} \quad (9)$$

3.5 application de tension

application d'une tension entre électrodes

NOTE L'application d'une tension est parfois désignée sous le terme électrification.

3.6 courant après application d'une tension

courant entre deux électrodes en contact avec un milieu isolant, lorsqu'une tension continue est appliquée entre elles

NOTE Le courant après application d'une tension dépend du temps écoulé. Habituellement, ce courant est déterminé 1 min après l'application de la tension (valeur 1 min).

3.7 courant de conduction

composante permanente du courant après application de la tension

3.8 courant de charge

composante transitoire du courant après application de la tension, qui s'écoule pendant la charge de l'éprouvette

3.9 champ électrique

champ vectoriel E qui engendre sur toute particule chargée au repos une force F égale au produit du champ E par la charge électrique Q de la particule:

$$F = Q \times E \quad (10)$$

3.10 induction électrique

grandeur vectorielle obtenue en un point donné en ajoutant la polarisation électrique P au produit du champ électrique E et de la permittivité du vide ϵ_0 :

$$D = \epsilon_0 E + P \quad (11)$$

3.11 polarisation P

phénomène d'un matériau qui décrit la direction du champ électrique transverse. Polarisation électrique en un point donné dans un domaine de volume quasi-infinitésimal, V , grandeur vectorielle égale au moment du dipôle électrique, p , de la substance contenue dans le domaine divisé par le volume V :

$$P = \frac{p}{V} \quad (12)$$

NOTE 1 La polarisation P satisfait à l'Equation (11).

NOTE 2 La polarisation peut se manifester comme un déplacement de particules chargées ou comme une orientation de dipôles. Elle peut aussi intervenir aux limites, comme dans le cas des électrodes, ainsi qu'aux limites internes dans le matériau isolant électrique. Tous les effets de polarisation dépendent fortement de la durée et de la fréquence, respectivement, et aussi de la température. L'effet de polarisation affecte par conséquent fortement les propriétés diélectriques et résistives. Par conséquent, le processus dépendant de la durée qui consiste à être polarisé, que subit un matériau isolant électrique lors de l'application d'une tension, est aussi généralement compris comme une polarisation lorsque les propriétés résistives d'un matériau isolant électrique doivent être déterminées.

3.12 dépolarisation

processus consistant à éliminer la polarisation électrique d'un matériau isolant électrique jusqu'à ce que le courant de dépolarisation soit négligeable

NOTE La dépolarisation est généralement recommandée avant de mesurer les propriétés résistives d'un matériau isolant électrique.

3.13 courant de polarisation

composante transitoire du courant après l'application de la tension, diminuée par une contribution possible du courant de charge

NOTE Le courant de polarisation est mesuré habituellement après avoir préalablement court-circuité les électrodes pendant une durée suffisante pour que le courant de court-circuit soit négligeable.

3.14 courant de dépolarisation

courant à travers un court-circuit, établi entre deux électrodes en contact avec un milieu isolant, après une application de tension directe pendant un certain temps

NOTE Le courant de dépolarisation est mesuré habituellement après une application de tension pendant une durée suffisante pour que le courant de polarisation soit négligeable.

3.15 électrodes de mesure

conducteurs appliqués sur un matériau ou enrobés dans sa masse, afin d'assurer un contact avec ce dernier, en vue de mesurer ses propriétés diélectriques ou résistives

NOTE La conception dépend des éprouvettes et du but de l'essai.

4 Facteurs influençant les propriétés des matériaux isolants électriques

4.1 Généralités

Les matériaux isolants électriques doivent fournir des valeurs acceptables pour les propriétés résistives et diélectriques, en fonction des exigences des applications spécifiques, qui soient cohérentes avec les propriétés mécaniques, chimiques, thermiques acceptables et avec d'autres propriétés nécessaires.

NOTE Il convient que les propriétés diélectriques et résistives des matériaux soient mesurées en gardant à l'esprit les conditions de service.

La résistance d'isolement se compose de deux éléments: la résistance superficielle et la résistance transversale. Ces deux propriétés sont affectées par de nombreux paramètres, par exemple l'humidité, la température, le champ électrique, la forme de l'éprouvette, la condition de surface et les électrodes. La variation de la résistance en fonction de la température, de l'environnement chimique et gazeux, de l'humidité et du champ électrique, peut être importante et elle doit être connue lors de la conception pour les conditions de fonctionnement.

La permittivité et la perte diélectrique sont aussi affectées par de nombreux paramètres, mais dans une moindre mesure que la résistance d'isolement. A l'exception de l'influence de la température, elles sont fortement affectées par la fréquence.

4.2 Facteurs influençant les propriétés résistives et diélectriques

4.2.1 Généralités

Les paramètres suivants peuvent influencer les propriétés diélectriques et résistives des matériaux isolants électriques, et ils doivent être mentionnés dans le rapport d'essai:

- durée;
- fréquence;
- température;
- humidité;
- champ électrique;
- tension;
- conditionnement;
- matériau des électrodes.

Ces paramètres sont traités individuellement, comme indiqué ci-dessous.

4.2.2 Durée

Comme cela est indiqué en 3.11, les effets de la polarisation dépendent de la durée. Pour chaque type de polarisation, un temps de relaxation, τ , peut être assigné. Avec ce temps de relaxation, les valeurs obtenues par les mesures dans le domaine temporel (c'est-à-dire les propriétés résistives) dépendent de la durée d'application de la tension.

Pour certains matériaux, les temps de relaxation peuvent être considérablement longs (jusqu'à au moins plusieurs mois). Pour obtenir des résultats corrects, il serait nécessaire de réaliser la mesure pendant une très longue durée. Toutefois, pour des raisons pratiques, la mesure des propriétés résistives est réalisée 1 min après l'application de la tension, en acceptant un écart entre cette valeur à 1 min et le comportement réel du matériau isolant électrique.

NOTE Cependant, les propriétés résistives peuvent être affectées en apparence par les courants de charge qui dépendent de la durée en raison de la résistance interne de la source de tension.

4.2.3 Fréquence

Comme la permittivité et les facteurs de dissipation ne sont pas constants sur une gamme de fréquences large, il est nécessaire de les mesurer aux fréquences auxquelles le matériau diélectrique sera utilisé.

La Figure 3 montre de manière simplifiée qu'à une certaine fréquence, l'indice de perte ε_r'' montre une valeur maximale dans la transition de relaxation. Au cours de cette transition de relaxation, la permittivité ε_r' se modifie et passe d'un niveau élevé ε_{rs} (cas statique) à un niveau faible (la fréquence est infinie) $\varepsilon_{r\infty}$. La raison de ce comportement est la dépendance de la polarisation par rapport à la durée (voir 3.6), qui est décrite par la durée de relaxation τ :

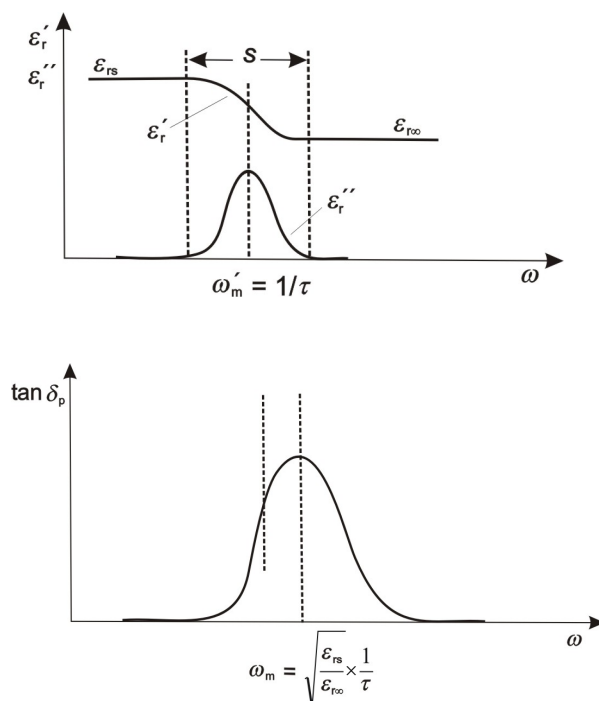
$$\omega_m' = \frac{1}{\tau} \quad (13)$$

Toutefois, compte tenu de la relation avec la polarisation, en réalité il se produira plus d'une transition de relaxation.

Le facteur de dissipation diélectrique $\tan \delta$ dépend aussi de la fréquence. Il résulte des définitions données en 3.3.4 et de la diminution de ε_r' lors de l'augmentation de la fréquence, en comparaison avec l'indice de perte, que la valeur maximale de $\tan \delta$ passe à des fréquences plus élevées en raison de la relation suivante:

$$\omega_m = \sqrt{\frac{\varepsilon_{rs}}{\varepsilon_{r\infty}}} \times \omega_m' \quad (14)$$

NOTE Les dépendances par rapport à la durée et à la fréquence sont des éléments liés, et ceci est décrit dans la théorie de Debye. La bibliographie donne d'autres documents de référence à lire sur ces questions.



IEC 790/11

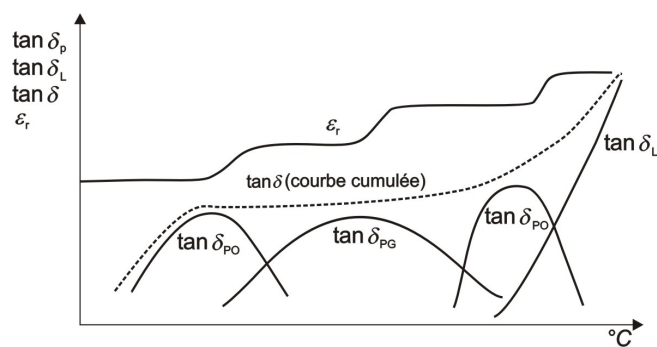
Figure 3 – Influence de la fréquence $\omega = 2\pi f$ sur la permittivité et le facteur de dissipation diélectrique $\tan \delta$

4.2.4 Température

Avec des températures en augmentation, le facteur de dissipation diélectrique peut présenter une ou plusieurs valeurs maximales (voir Figure 4), dans la mesure où la température affecte la polarisation (voir 3.6) et où les durées de relaxation sont réduites. Par conséquent, la permittivité augmente progressivement avec la température.

De plus, à des températures plus élevées, les charges, comme par exemple des ions ou des électrons, sont capables de se déplacer de manière plus libre et elles participent à une conductivité élevée.

Pour les mêmes raisons, les valeurs de la résistance d'isolement, de la résistivité superficielle ou de la résistivité transversale, peuvent aussi dépendre fortement de la température.



IEC 791/11

Figure 4 – Exemple de l'influence de la température sur la permittivité et les facteurs de dissipation diélectrique

NOTE 1 Les effets du vieillissement thermique peuvent aussi affecter le facteur de dissipation diélectrique et les propriétés résistives du matériau en question. Pour une qualification de l'endurance thermique des systèmes et des matériaux isolants électriques selon la CEI 60216-1 et la CEI 60505 respectivement, les mesures du comportement diélectrique ou résistif peuvent être utiles.

NOTE 2 A température élevée en particulier, le courant de conduction causé par les propriétés résistives des matériaux peut contribuer de manière considérable à une augmentation du facteur de dissipation diélectrique (voir l'Equation (7)).

4.2.5 Humidité

Toutes les propriétés diélectriques et résistives comme la permittivité, le facteur de dissipation, la résistivité transversale et superficielle, sont influencées par l'humidité. Le conditionnement des éprouvettes est par conséquent d'une importance primordiale, ainsi que le contrôle de la teneur en humidité à la fois avant et pendant les essais.

4.2.6 Champ électrique

Tous les types d'effets de polarisation diélectrique, à l'exception de la polarisation interfaciale, se comportent pratiquement de manière linéaire par rapport au champ électrique appliqué, sous réserve qu'il n'y ait pas d'émission d'électrons ou d'effets liés qui dominent. Lorsqu'il existe une polarisation interfaciale, le nombre d'ions libres augmente avec le champ électrique, et l'amplitude et la position du maximum du facteur de dissipation diélectrique sont modifiées. Le facteur de dissipation et la permittivité ne montrent généralement qu'une faible dépendance vis-à-vis du champ électrique, tant qu'il n'y a pas d'effets d'ionisation.

4.2.7 Tension

Des effets non linéaires peuvent apparaître avec des tensions de mesure ou des champs électriques en augmentation, respectivement. Les courants de charge qui dépendent de la durée dépendent aussi de la tension.

4.2.8 Conditionnement

Les propriétés résistives et diélectriques de la plupart des matériaux isolants solides sont influencées par différents paramètres, comme indiqué dans les alinéas ci-dessus. C'est pourquoi il est nécessaire de spécifier le type et la durée des procédures de conditionnement d'une éprouvette à la fois avant et pendant les essais, comme stipulé dans l'ISO 291 et l'ISO 558.

Les valeurs préférentielles de climat pour le conditionnement avant et pendant les essais sont $23\text{ °C} \pm 2\text{ K}$ et $50\% \pm 5\%$ d'humidité relative.

Le comportement des matériaux sera influencé par la condition en surface. Le nettoyage peut influencer les résultats d'essai. Toutefois, si cela est nécessaire dans certains cas, la surface de l'éprouvette pourrait nécessiter une procédure de nettoyage avant le conditionnement.

4.2.9 Eprouvette

La forme et les dimensions de l'éprouvette peuvent influencer les valeurs mesurées. Les dimensions préférentielles des éprouvettes doivent être stipulées concernant les procédures d'essai données par les futures CEI 62631-2 et CEI 62631-3¹. Toutefois, comme la forme et les dimensions dépendent fortement du type de matériau d'isolation et de son application, il peut exister des cas dans lesquels la forme doit être définie par des normes de produits appropriées.

4.2.10 Matériau des électrodes

Le choix du matériau des électrodes est fondamental pour obtenir des résultats de mesure fiables. La question des électrodes est donc traitée dans un article séparé.

¹ Comme mentionné dans l'Avant-propos, tant que ces futures normes ne sont pas encore publiées, les dimensions citées dans les normes CEI 60093, CEI 60167, CEI 60250, CEI 60345, CEI 60377-1 et CEI 60377-2 restent valables.

5 Systèmes d'électrodes

Les électrodes pour les matériaux isolants doivent être dans un matériau qui s'applique facilement sur la surface des éprouvettes, en permettant un contact intime et qui n'introduit pas d'erreur appréciable due à la résistance de l'électrode ou à la contamination de l'éprouvette. Le matériau de l'électrode doit résister à la corrosion dans les conditions d'essai.

NOTE Pour les mesures en courant alternatif, un système d'électrodes sans contact peut être parfois utilisé avec des éprouvettes ayant une conductivité de surface suffisamment faible.

La forme des électrodes ainsi que l'épaisseur de l'éprouvette doivent être déterminées avec soin, afin d'éviter des erreurs importantes lors de la déduction des propriétés diélectriques et résistives à partir des valeurs mesurées. Les informations détaillées concernant les systèmes d'électrodes appropriés pour certains types de mesures sont données dans les parties de la présente série qui traitent des procédures d'essai (voir Tableau 1).

6 Procédures d'essai

Les procédures d'essai sont décrites dans d'autres parties de la CEI 62631 (voir Tableau 1).

Tout dispositif d'essai ou appareil fiable disponible peut être utilisé pour déterminer les propriétés mentionnées ci-dessus selon une méthode d'essai donnée. Toutefois, la précision de l'appareil d'essai doit toujours être indiquée et doit être appropriée pour remplir les exigences du matériau en essai.

Bibliographie

CEI 60216-1, *Matériaux isolants électriques – Propriétés d'endurance thermique – Partie 1: Méthodes de vieillissement et évaluation des résultats d'essai*

CEI 60247, *Liquides isolants – Mesure de la permittivité relative, du facteur de dissipation diélectrique ($\tan \delta$) et de la résistivité en courant continu*

CEI 60505, *Evaluation et qualification des systèmes d'isolation électrique*

IEEE 100, *The Authoritative Dictionary of IEEE Standards Terms*, Seventh Edition.

Kohlrausch: *Praktische Physik (2 Bände)*. Leipzig: Teubner, 1953.

Debye, Paul: *Polare Molekeln*. Leipzig: Hirzel, 1929.

Bartnikas, Ray: *Engineering Dielectrics Volume IIB Electrical Properties of Solid Insulating Materials: Measurement Techniques*. ASTM 1987.

Beyer, M; Boeck, W.; Möller, K.; Zaengl, W.: *Hochspannungstechnik. Theoretische und praktische Grundlagen für die Anwendung*. Springer, 1986.



